

# Altrix Control System



- Control audio/video components, lights, drapes, and appliances from anywhere in your house, even outside!
- RF, Infrared, or X-10 Control
- One-button MACROs
- Operates Identical A/V Sources Independently
- RS-232 Control Port

The Altrix Control System allows you to control your audio/video equipment, lighting, drapes, and appliances from anywhere in your house, even outside. The system is very flexible — you may command the Altrix Controller using remote controls, keypads, touchscreens, X-10® powerline controllers, and/or serial RS-232 computer control.

### **RF or IR Remote Control**

The Altrix System Models 3000 and 3400 can use one or more Vaux radio-frequency (RF) Remote Controls, which transmit commands through the walls, floors, and ceilings of a home. For RF control, no extra wiring of the home is required, unless optional antennas are used. The Altrix Model 3400 Controller also allows infrared (IR) control, using the front panel sensor or a wired IR repeater system. IR-learning remotes, in-wall keypads, and touchscreens may also be used.

### **2-Way X-10 Powerline Control**

Altrix System Controllers provide for control of up to 256 lights and appliances using standard X-10 powerline modules. A variety of X-10-compatible modules are available which plug into AC outlets or replace existing wall switches or outlets. Relay contact output modules allow control of low-voltage devices. The Altrix System also "listens" to the powerline for X-10 commands from other X-10 controllers. X-10-compatible wall switches, motion detectors, keychain remotes, and contact-closure modules may be used to trigger a command in the Altrix

### **Infrared Learning**

The Altrix Control System learns and stores up to 240 infrared (IR) codes from existing A/V remote controls. IR learning is easy — a few minutes at setup time is all it takes to learn the commands from multiple remote controls. IR commands are conveniently grouped into eight Device banks: Tuner, CD, Cab/Sat, VCR 1, VCR 2, Laser, Tape 1, and Tape 2. An IR Blaster output (Xantech®-compatible) provides a common signal to drive an IR emitter cable, an amplified room blaster, or an amplified multi-emitter connecting block. Device- or Zone-specific infrared output ports connect to individual emitters, allowing independent control of identical A/V components.

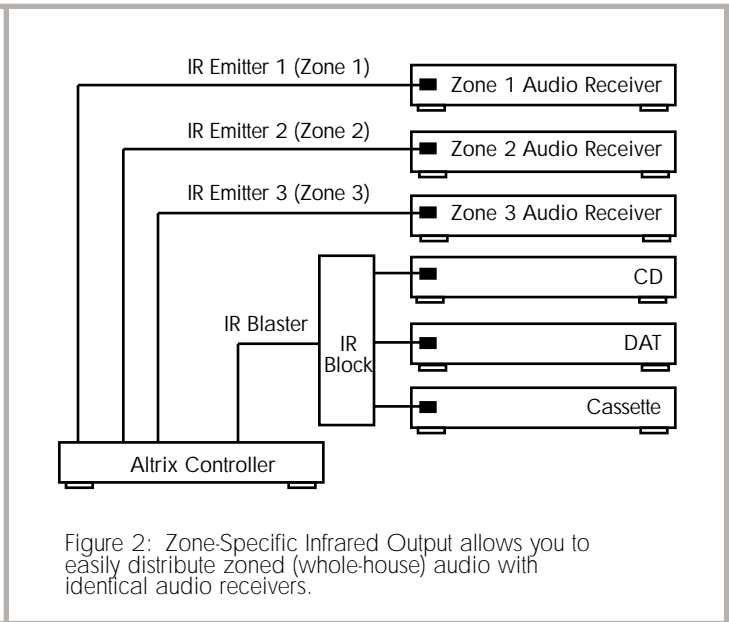
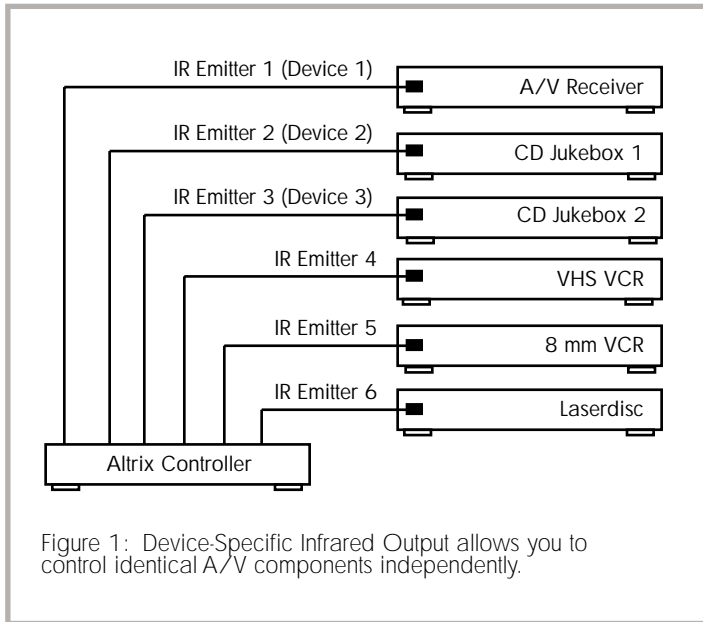
### **MACRO Buttons**

Multiple-command MACRO support allows you to define one-button commands, for example, a "Play Movie" MACRO may: dim room lighting, start the popcorn, lower the projection screen, power-up the laserdisc, wait 20 seconds, and play. The Altrix Control System features 20 different MACRO buttons, each having 25 steps, that is, any combination of audio/video IR commands, time delays up to 99 seconds, and/or X-10 commands.

MACROs are also employed to turn the entire system on and off, and to configure the system when a device has been selected — a press of the CD button may select CD on the A/V receiver, display the CD jukebox's menu on the TV, turn on the neon light, and play the current disc.



**Vaux Electronics, Inc.**



## Device-specific vs. Zone-specific Infrared Output Ports

**Device-Specific Operation:** You may use identical A/V source components in your system and control them independently when using Device-Specific operation. The infrared emitter ports are active according to the device selected. As shown in Figure 1, two identical CD jukeboxes are connected to the Device 2 and 3 infrared ports. The jukeboxes are independently-accessed based on the Device selected for control.

**Zone-Specific Operation:** As shown in Figure 2, three identical audio receivers are used to power speakers in different house zones. The user-specified Zone code will select the desired receiver for volume, source selection, etc. — the common source equipment (CD, DAT, ...) is controlled from the IR Blaster output port, which combines all IR outputs. Vaux Remote Controls have a Zone code which gets transmitted with every button pressed. A default Zone can be programmed, or a temporary zone may be explicitly selected using the Zone button.

## RS-232 Computer/Control Port

The Altrix Controller's RS-232 port allows a computer to control the A/V components, monitor remote control activity, and to configure special functions in the Altrix Controller. IR learning and MACRO programming can be performed using either Vaux Remote Controls or via the RS-232 Port.

The attached computer may send any of the 240 infrared codes and control up to 256 X-10 modules. Vaux system activity, such as a button press on a Vaux Remote Control, is passed back to the computer for possible action. The computer may also program special options in the Altrix Controller.

If the system is configured for remote modem access, the RS-232 port is dedicated to a modem connection. A remote computer may then dial-in — the Altrix System will appear the same as if it were directly connected.

## Vaux Protocol

Vaux Systems are open — Vaux has published the commands for communicating with the Altrix Control System. Vaux Protocol, comprised of simple ASCII commands, is used to communicate through the RS-232 Computer Port.

## Customize Your Home

Whether you want to tailor your Home Theater with one-button MACROs, control your systems from anywhere in your home, or set up a sophisticated computer control system, you can do it all with an Altrix Control System from Vaux.



3498 North San Marcos Place, Ste. 2 • Chandler, AZ 85224  
**FAX: (602) 813-8573 • PHONE: (602) 813-8577**

member



CUSTOM  
 ELECTRONIC  
 DESIGN &  
 INSTALLATION  
 ASSOCIATION

*Altrix, Aris, MARC+, MARC II, MediaMation, Vaux, VauxNet, and Vaux Protocol are trademarks of Vaux Electronics, Inc.*

*Xantech is a registered trademark of Xantech Corporation*

*X-10 is a registered trademark and Powerhouse is a trademark of X-10 (USA), Inc.*

*The product specifications and availability are subject to change without notice.*

*For the latest information, contact Vaux Electronics, Inc.*

*©1994-96 Vaux Electronics, Inc. Printed in the U.S.A. All rights reserved.*