

MARC+ Remote Control

the ultimate home theater remote control!

Control your audio/video components, lights, drapes, and appliances from anywhere in your house — even outside!



size: 5.2" x 5.0" x 1.5"



size: 7.6" x 2.4" x 0.7"

- RF Remote Control
- 8 A/V Components
- Infrared Learning
- MACROs
- Controls X-10
- Battery backed-up



Vaux Electronics, Inc.

The Ultimate Home Theater Remote Control! Need to control the satellite from your bedroom? Want to control the CD from the patio? Or press one button to set a lighting and music scene? Get a MARC+ System!

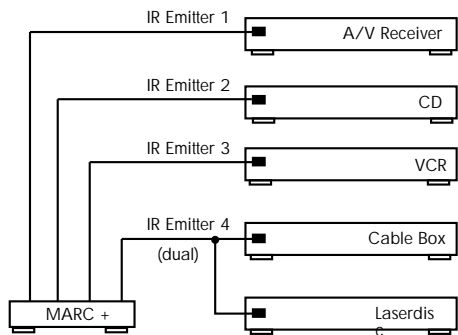
With the MARC+ Remote Control System, you can operate your A/V equipment (for example, your stereo, TV, VCR, satellite receiver, and cable box), lights, household appliances (such as your coffee pot or spa), and drapes, from anywhere in your home, even outside!

No Need To Point

The MARC+ System uses one or more Vaux RC-8 RF Remote Controls throughout the home. The Remote Controls are based on radio-frequency (RF) instead of infrared (invisible light beams), allowing you to operate your components through walls, ceilings, and floors — control components from the next room, from upstairs in the bedroom, or from the backyard pool, and never point again.

Put Away All Those Remotes!

The MARC+ system controls up to 8 audio/video components — it learns and stores infrared (IR) codes from your existing A/V remote controls. Control everything from just one RF remote. Auto-Source-Selection will automatically change the A/V receiver's input source as you switch from Tuner to CD to Laser...



Operate A/V components in a cabinet using infrared Emitter Cables.

The MARC+ Controller uses Emitter Cables to attach to the infrared sensor windows on your audio/video equipment.

Lighting and Appliance Control

The MARC+ system controls up to 100 X-10®-connected drapes, appliances, and lights (dimming as well). X-10 is a de-facto standard for powerline control of lights and appliances; control signals are sent over existing house wiring to be received by an X-10-compatible device which is plugged into the wall. A variety of inexpensive modules are available which plug into AC outlets, screw into lamp sockets, or replace existing wall switches or outlets. Relay contact modules allow control of low-voltage devices, such as sprinkler systems.

One-Button Convenience

The System also includes 10 MACRO buttons to store sequences. Each MACRO holds up to ten steps — press your "Play Movie" MACRO to close the drapes, dim the lights, lower the projection screen, start the popcorn, and play the laserdisc.

Simple Installation

Infrared Emitter Cables are typically used to send the IR commands to the A/V equipment. The MARC+ Controller has four (common) IR ports for (Xantech®-compatible) single or dual infrared emitter cables. The installation of the emitter cables is quite simple: they affix over the infrared sensor window on the audio/video component. An infrared Room-Blaster may also be used. The optional X-10 Interface Module simply plugs in the wall. Take a few minutes to teach your A/V remotes to the system, plug in some lamp modules, and you'll be up and running!

Award-Winning Technology

The MARC+ System is the second-generation of the original MARC System, winner of the Design and Engineering Innovations '93 Consumer Electronics Show Award, and member of the '94 CES® Hall of Technology.



3498 North San Marcos Place, Ste. 2 • Chandler, AZ 85224
FAX: (602) 813-8573 • PHONE: (602) 813-8577

member



CUSTOM
ELECTRONIC
DESIGN &
INSTALLATION

Altrix, Aris, MARC+, MARC II, MediaMation, Vaux, VauxNet, and Vaux Protocol are trademarks of Vaux Electronics, Inc.

CES is a registered trademark of Electronic Industries Association.

Xantech is a registered trademark of Xantech Corporation

X-10 is a registered trademark and Powerhouse is a trademark of X-10 (USA), Inc.

The product specifications and availability are subject to change without notice.

For the latest information, contact Vaux Electronics, Inc.

©1993-96 Vaux Electronics, Inc. Printed in the U.S.A. All rights reserved.